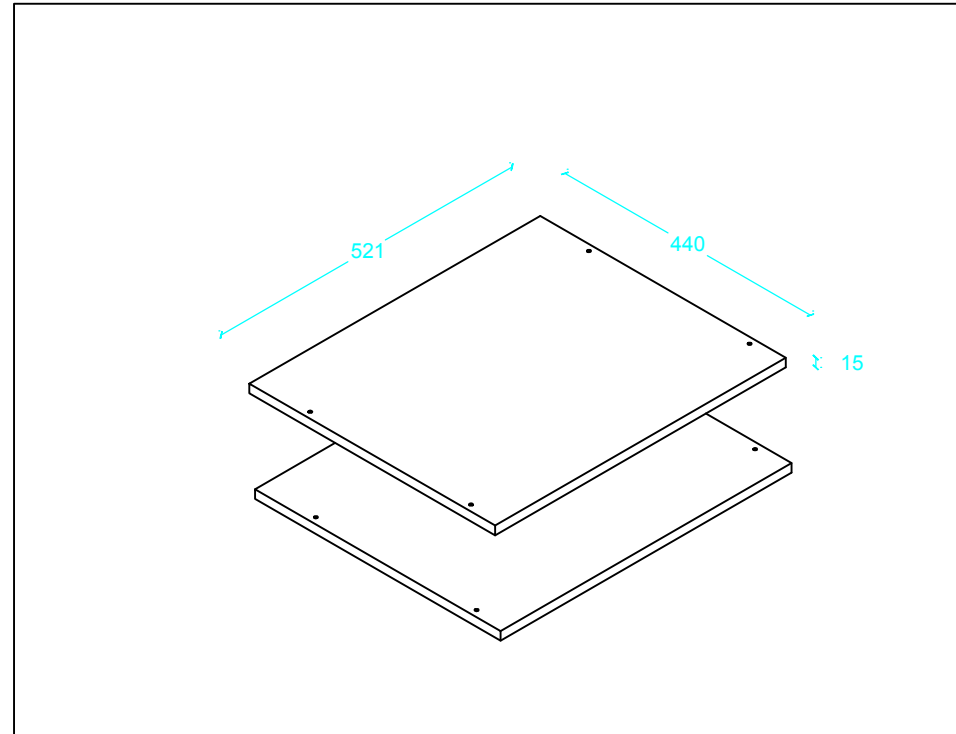


ASSEMBLY INSTRUCTION

Spacemaster Babylon 2 Piece Shelf Insert
ITEM CODE 54915

Imported by Amart Furniture Pty Ltd, Qld, Brisbane Australia.
For any assistance with assembly or for missing parts please phone
Amart Furniture Ewing Road, Customer Service Free call 1800 351 084

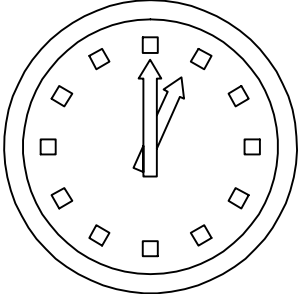
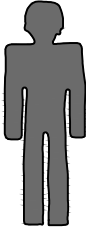
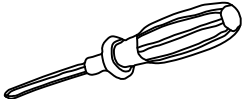


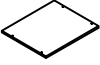


Imported by Amart Furniture Pty Ltd, Qld, Brisbane Australia.
For any assistance with assembly or for missing parts please phone
Amart Furniture Ewing Road, Customer Service Free call 1800 351 084

PRE-ASSEMBLY PREPARATION

Before you start:

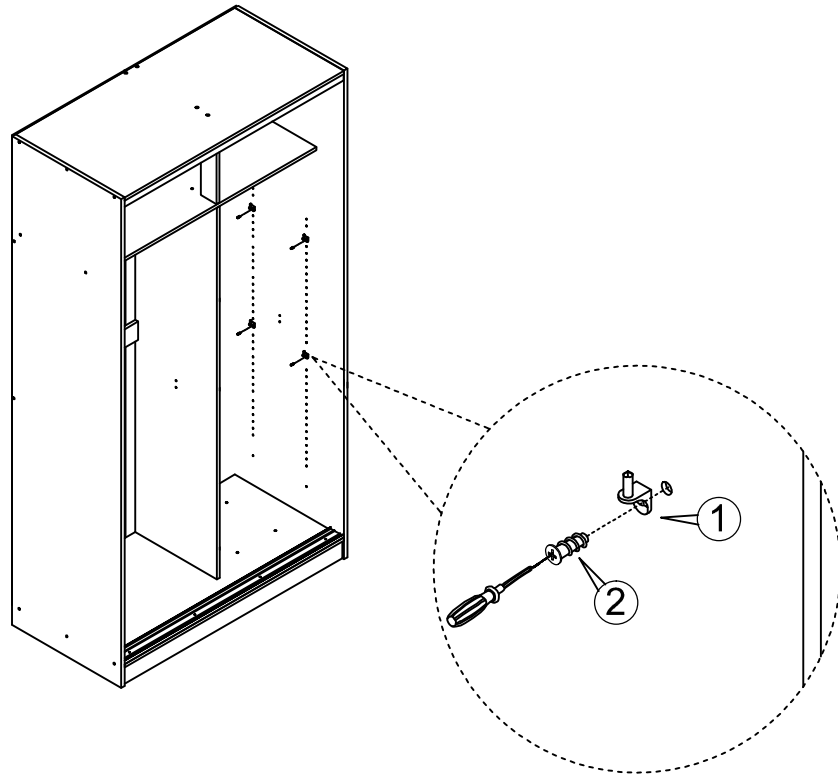
1. Choose a clean, level, spacious assembly area. Avoid hard surfaces that may damage the product.
2. Take care when lifting. Product should be assembled as near as possible to the point of use.
3. Ensure that you have all required contents for complete assembly.
4. Always read the assembly instructions carefully before beginning assembly.
5. Keep all hardware parts and packaging out of reach of small children.
6. Do not over tighten the screws and bolts as this may damage the threads.

 <p>10min</p>	 <p>1 People Required</p>
 <p>ADDITIONAL TOOLS REQUIRED</p>	

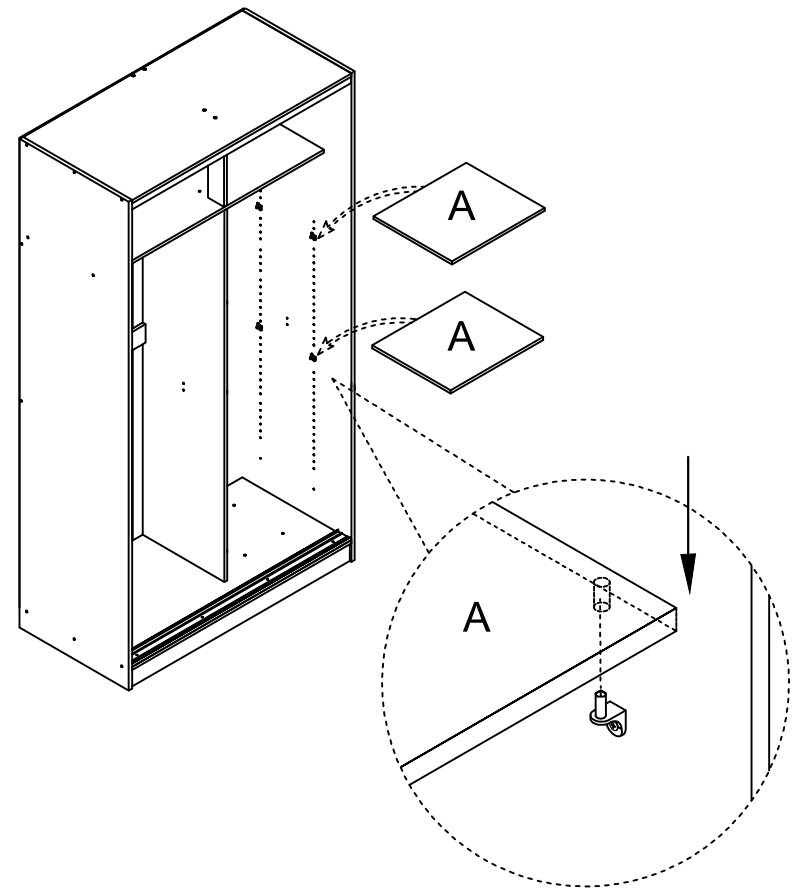
Adjustable shelf panel	Shelf support	Screw				
A	①	②				
						
2 PCS	8PCS	8 PCS				
521*440*15mm	Ø17.5 x 4 mm	Ø6 x 10mm				

Step1: Fix shelf support ① to robe vertical panel by screw ② .

① x 8
② x 8

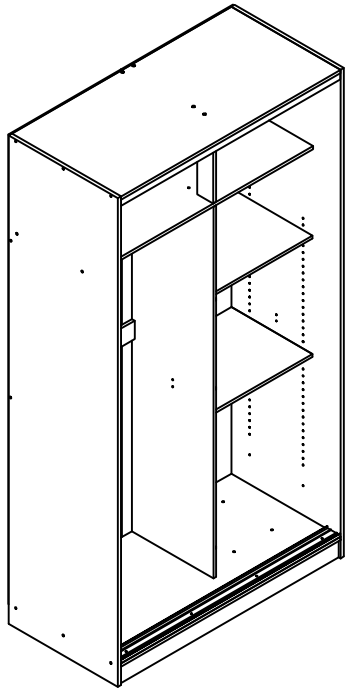


Step2: Put shelf panels (A) into shelf support.



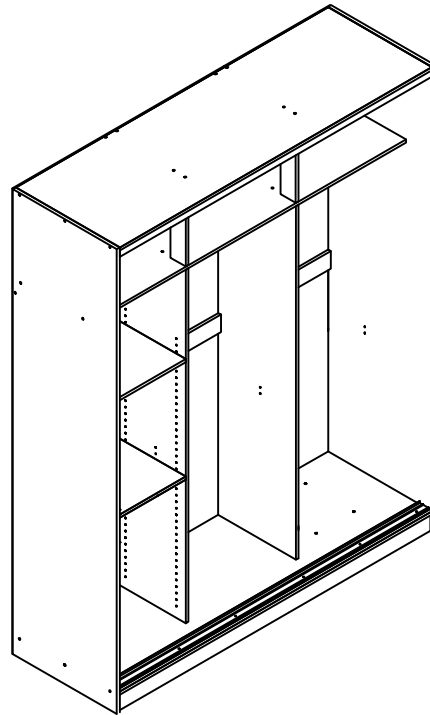
Spacemaster Babylon Medium Robe Frame

ASSEMBLY IS COMPLETE



Spacemaster Babylon Large Robe Frame

ASSEMBLY IS COMPLETE



Spacemaster Babylon Extra Large Robe Frame

ASSEMBLY IS COMPLETE

